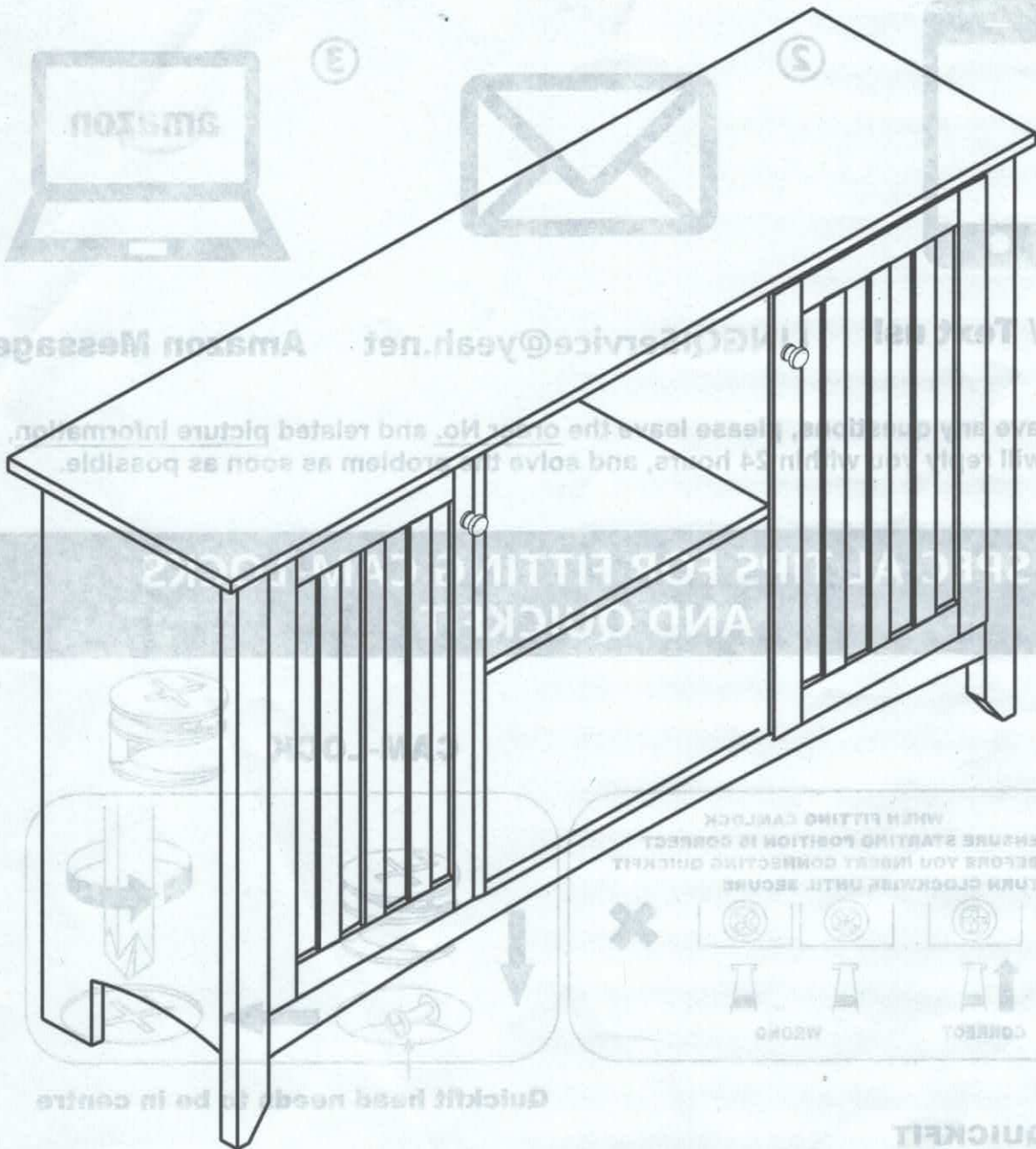


INSTRUCTION MANUAL



THIS INSTRUCTION BOOKLET CONTAINS IMPORTANT INFORMATION. PLEASE READ AND KEEP FOR FUTURE REFERENCE

**We stand behind we sell. If you are not satisfied with your purchase,
Please don't hesitate to contact us . Email:**

LINGQIService@yeah.net

CONTACT US !

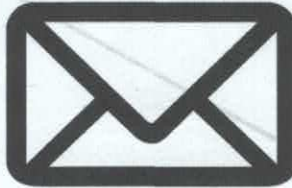
Do Not return this product

Contact our friendly customer service team first for help.

①



②



③



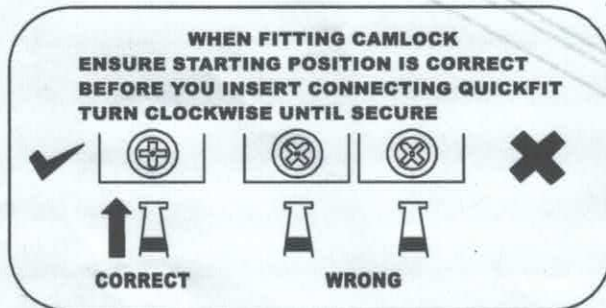
Call us/ Text us!

LINGQIService@yeah.net

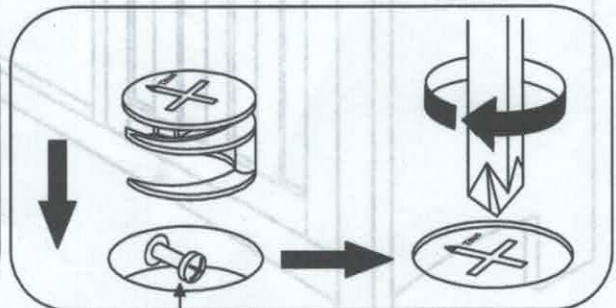
Amazon Message

If you have any questions, please leave the order No. and related picture information, we will reply you within 24 hours, and solve the problem as soon as possible.

SPECIAL TIPS FOR FITTING CAM-LOCKS AND QUICKFIT



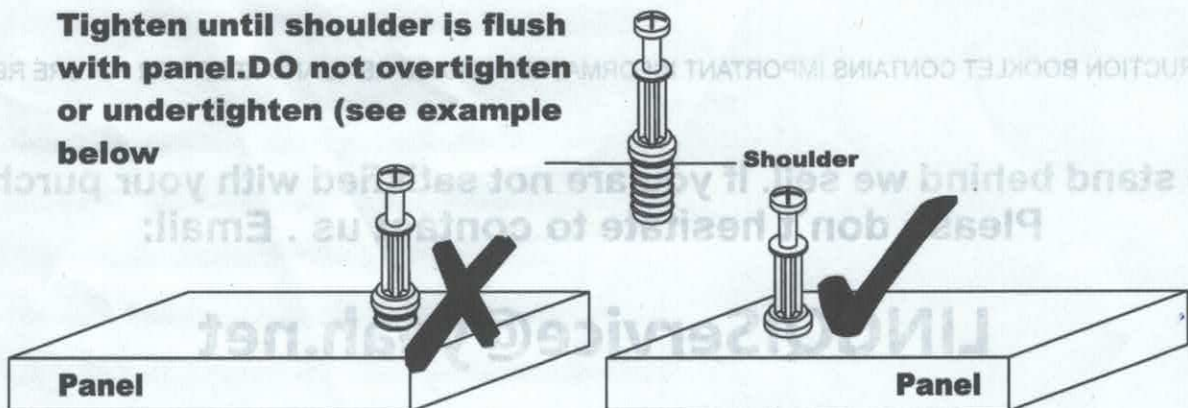
CAM-LOCK

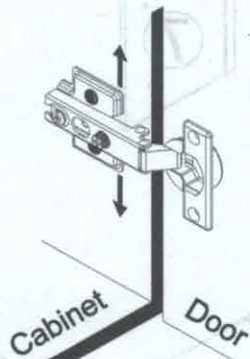
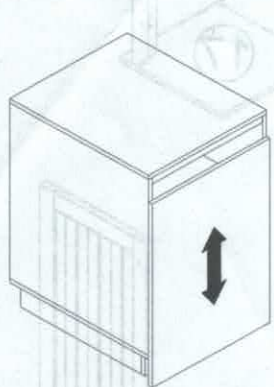
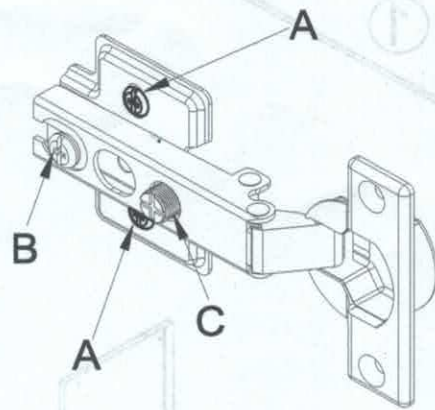


Quickfit head needs to be in centre

QUICKFIT

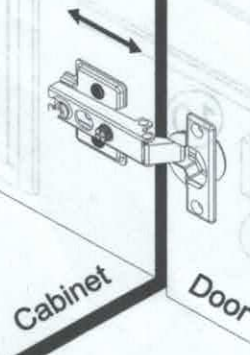
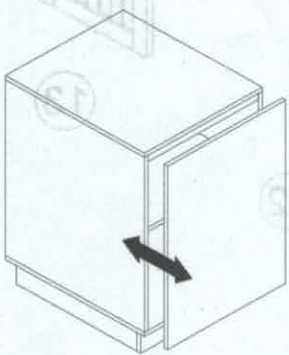
Tighten until shoulder is flush with panel. DO not overtighten or undertighten (see example below)





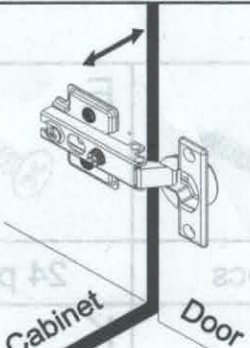
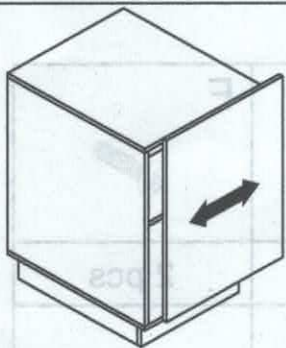
To adjust the vertical height.

Loosen the four screws "A" on both hinges. Two of them are usually in slotted holes which allows you to adjust up or down by a few mm. Then tighten back up.



To adjust depth.

Loosen screw "B" and adjust door, if the door can not be adjusted, please loosen screw "C", then try again. Tighten screw "B" and "C".



To adjust side ways.

Turning the screw "C" on BOTH hinges on each door.

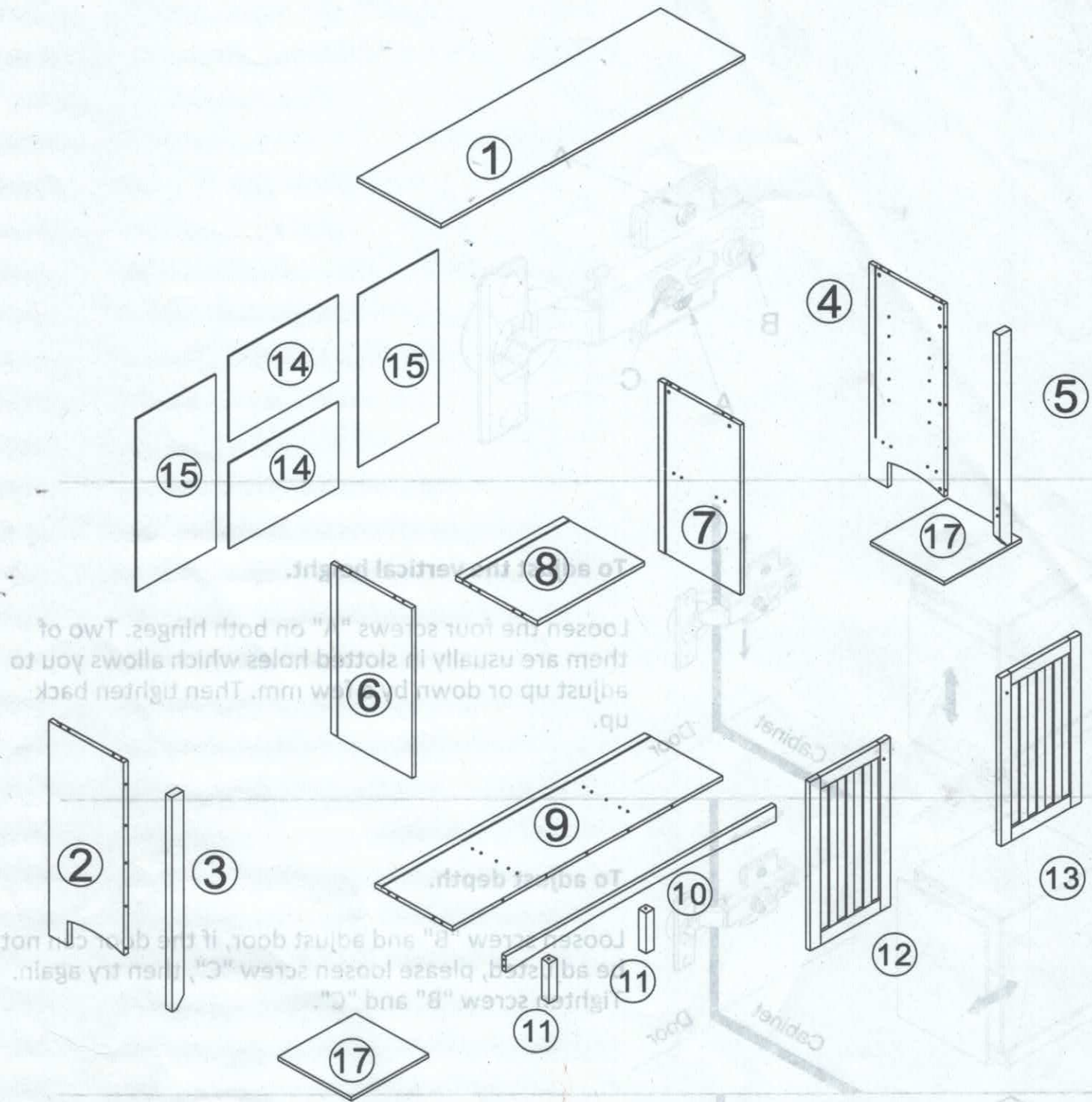
16 pcs












16 pcs

8 pcs

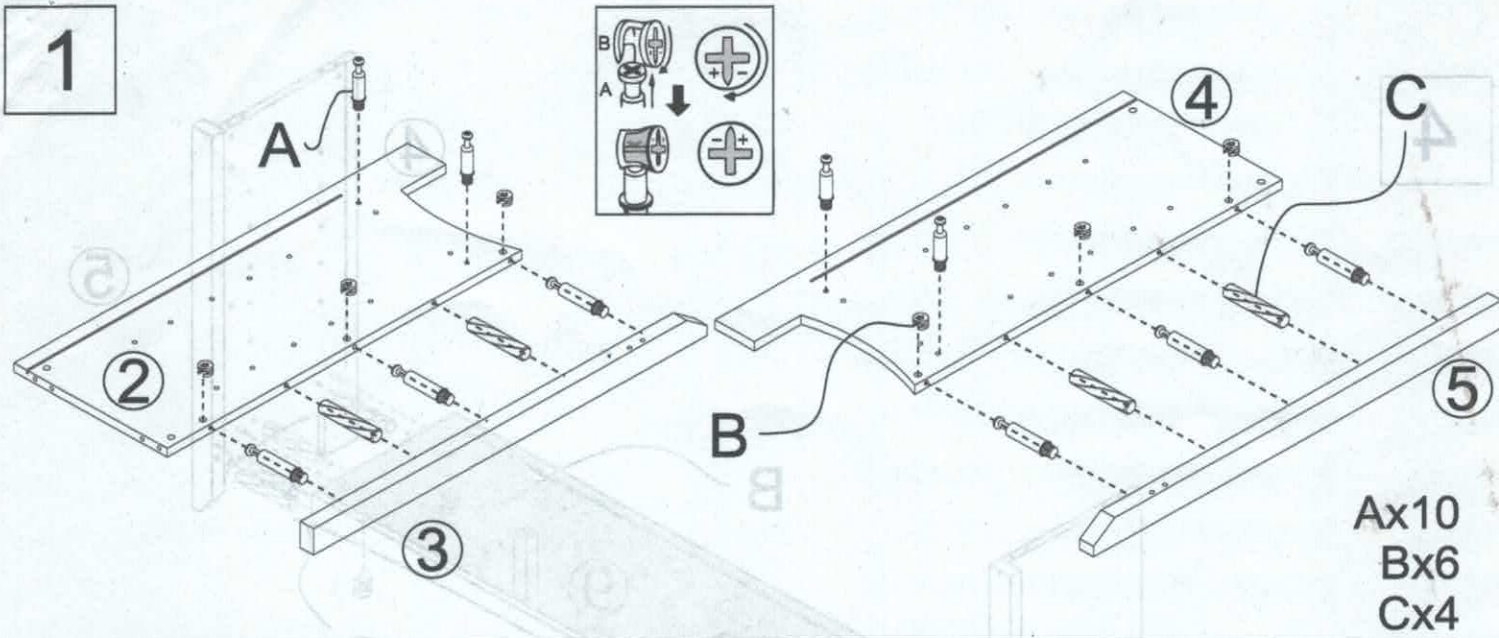
5 pcs

4 pcs



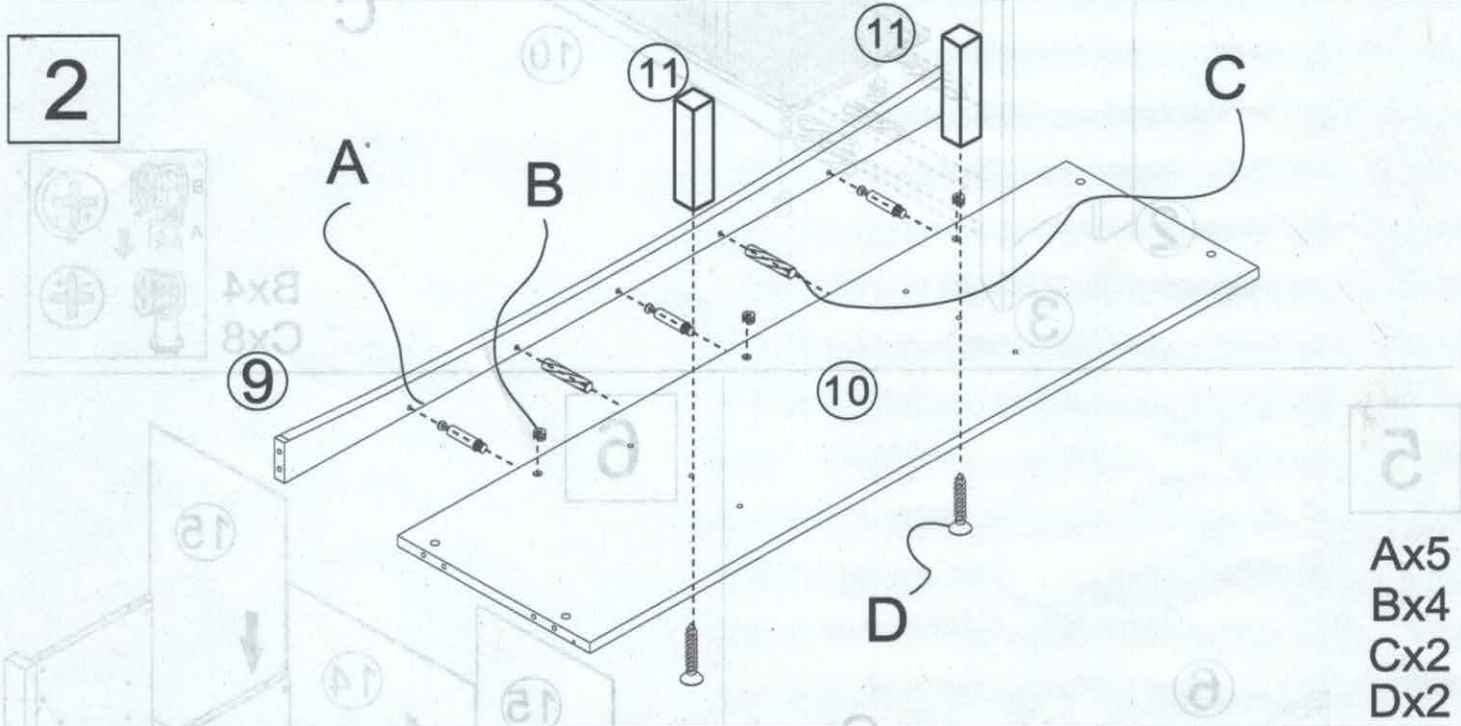
A 	B 	C 	D 	E 	F 
25 pcs	25 pcs	30 pcs	6 pcs	24 pcs	2 pcs
G 	H 	I 	J 	K 	
4 pcs	2 pcs	8 pcs	16 pcs	16 pcs	

1



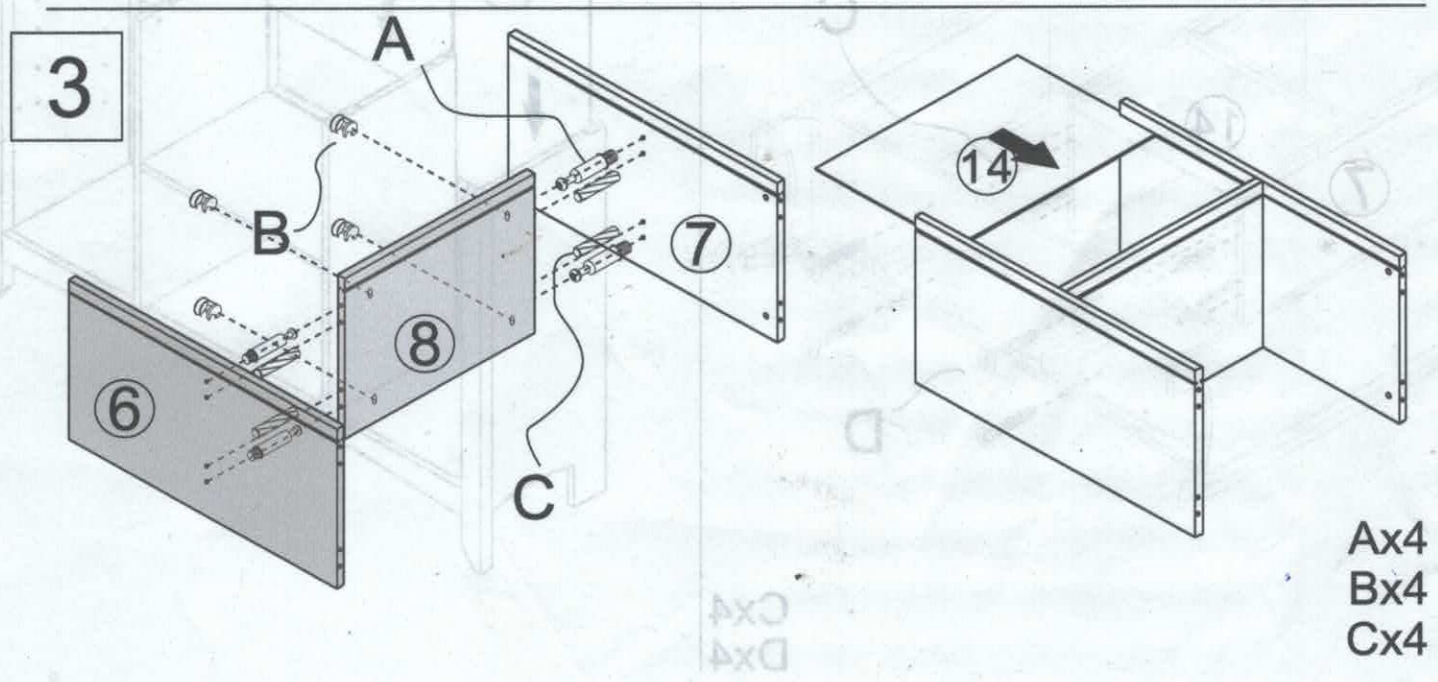
Ax10
Bx6
Cx4

2

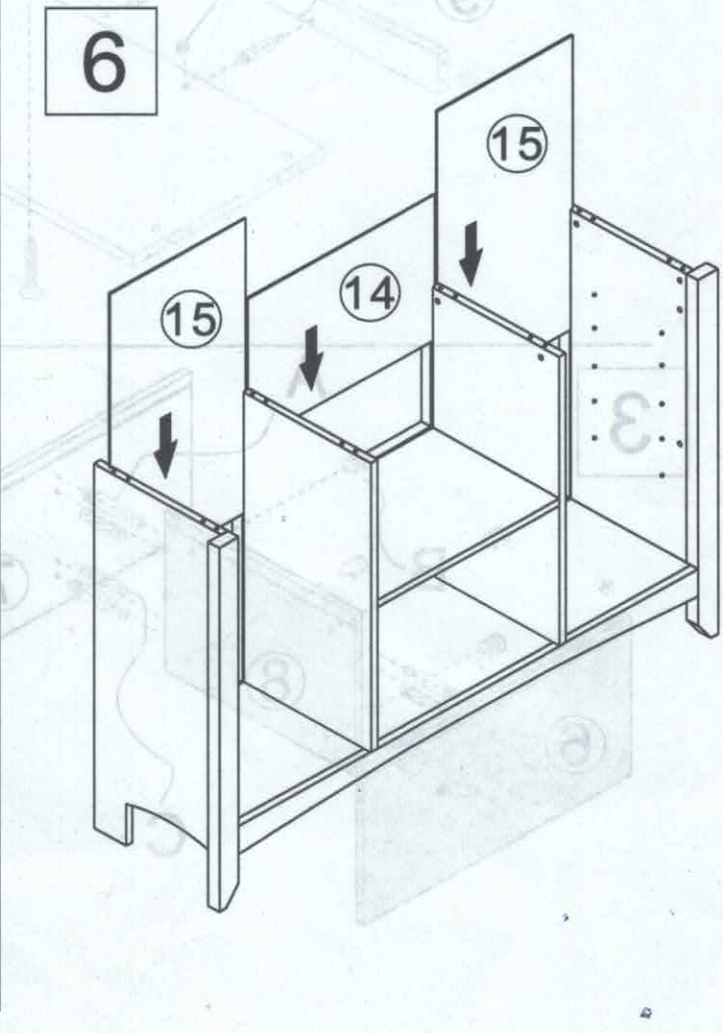
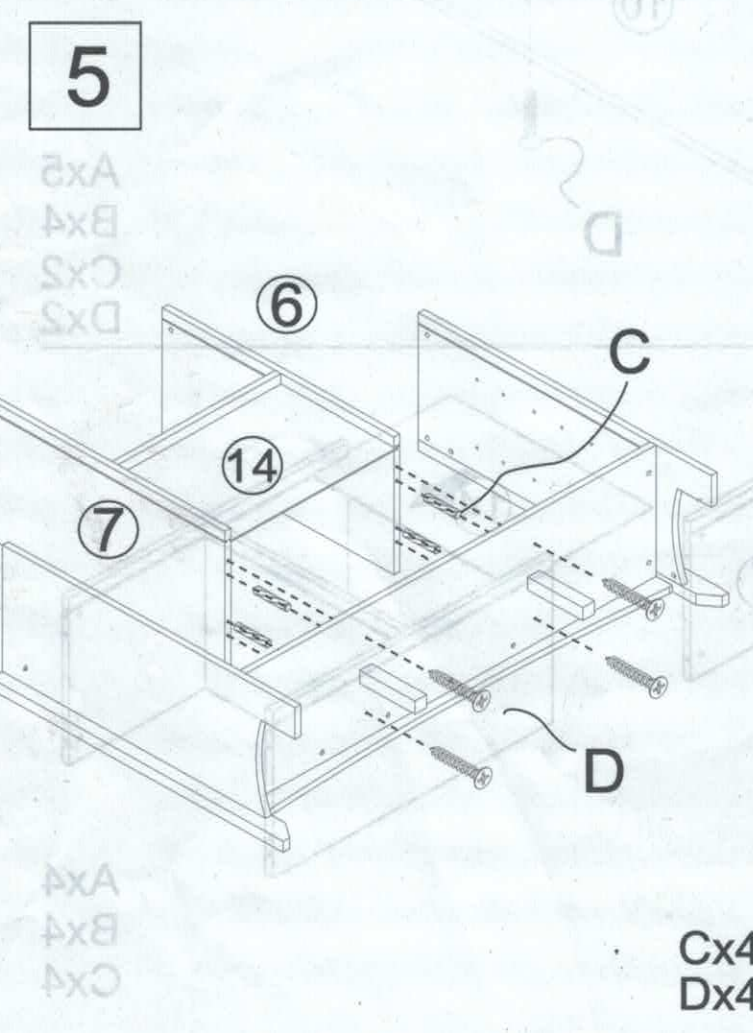
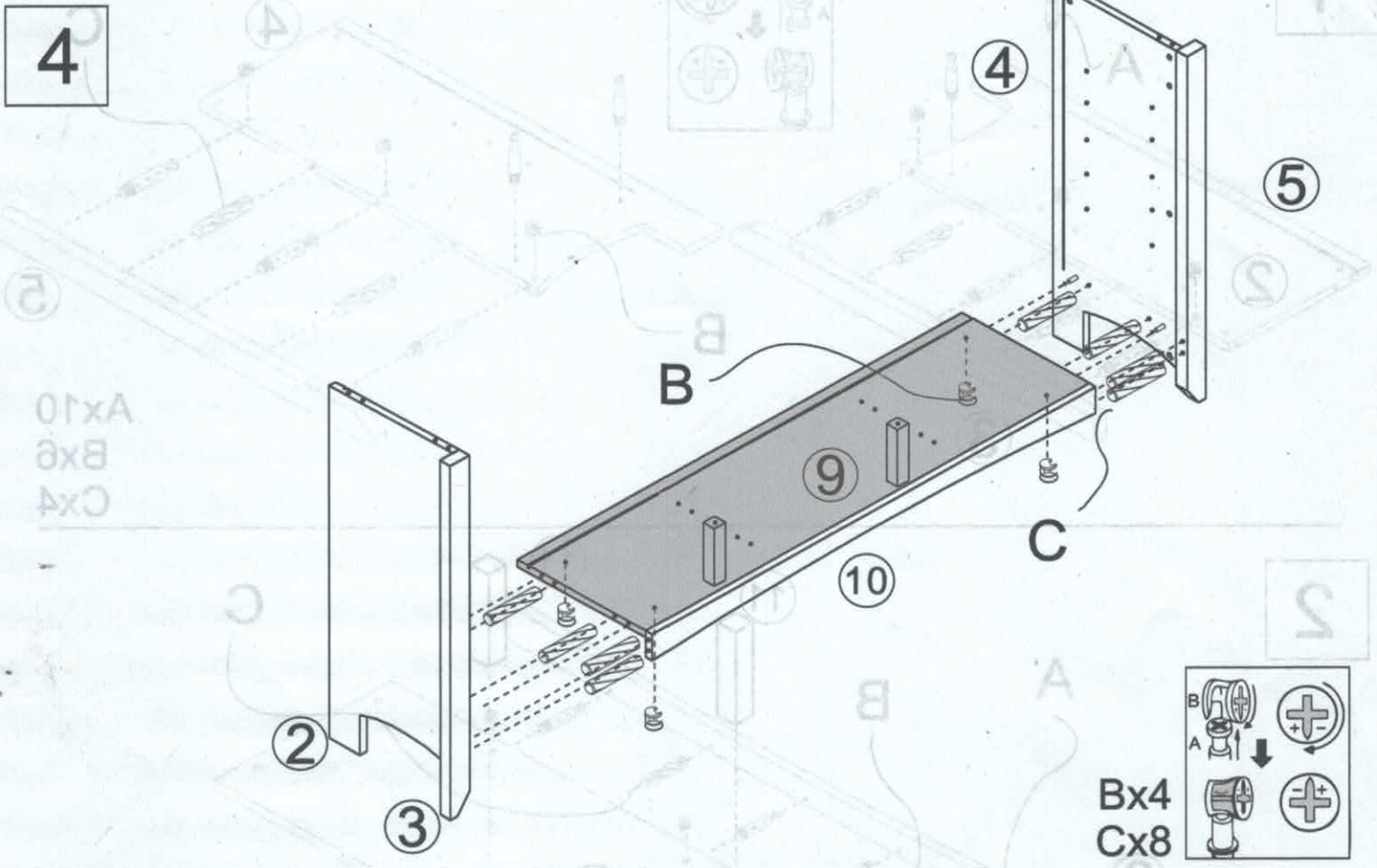


Ax5
Bx4
Cx2
Dx2

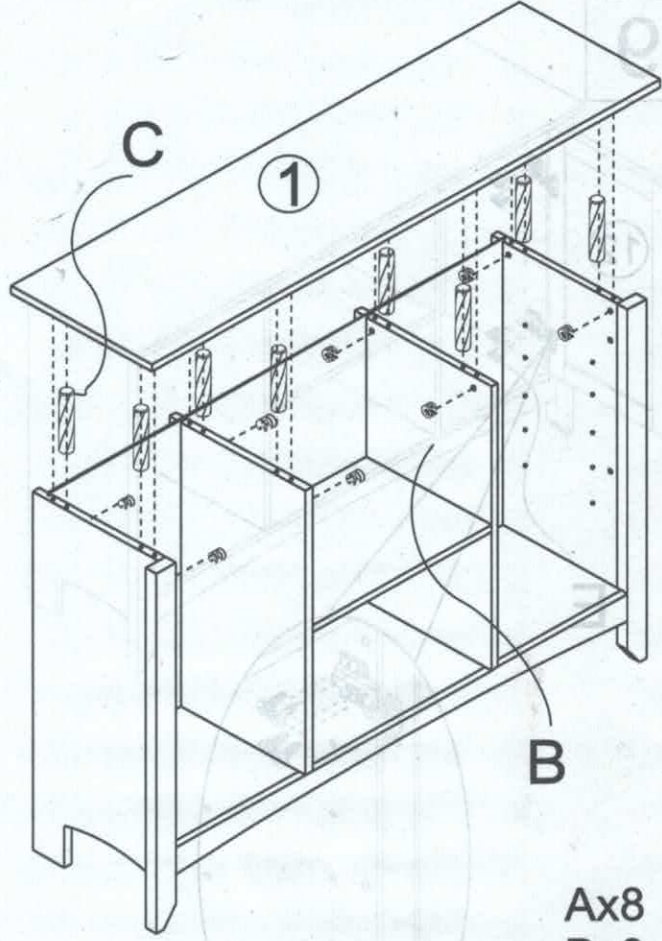
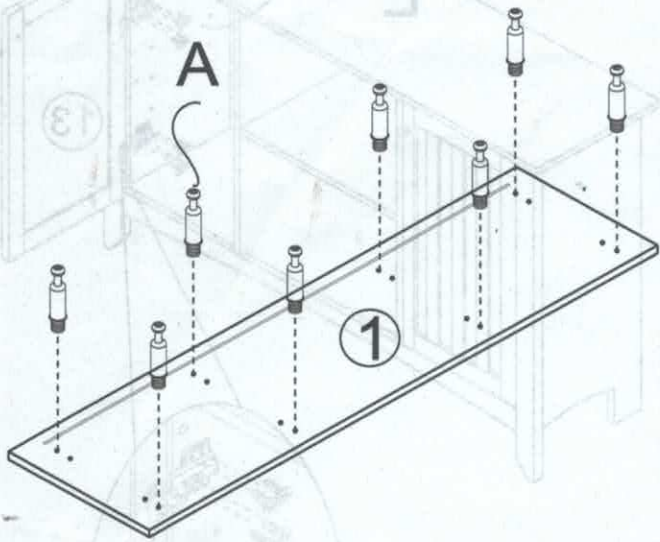
3



Ax4
Bx4
Cx4

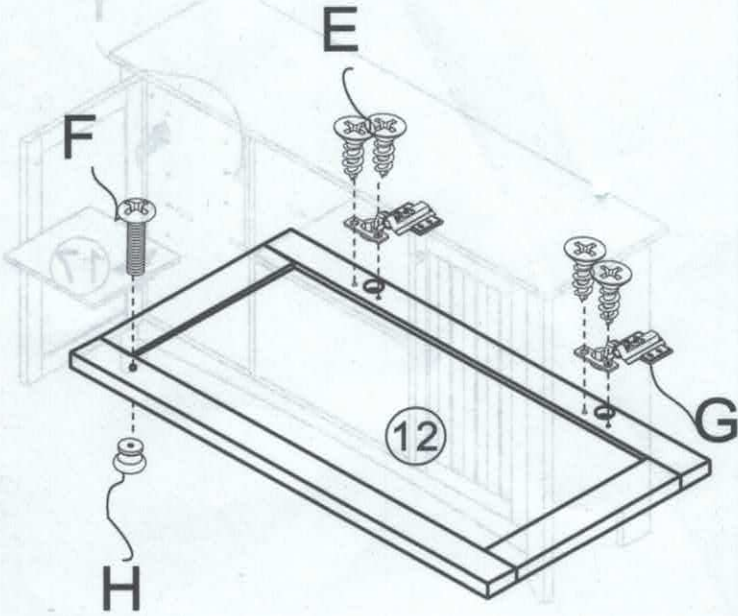


7

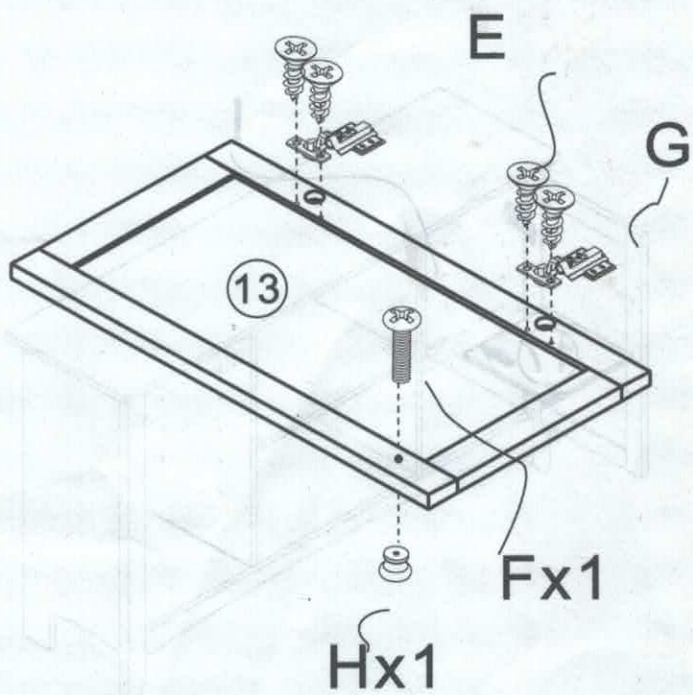


Ax8
Bx8
Cx8

8



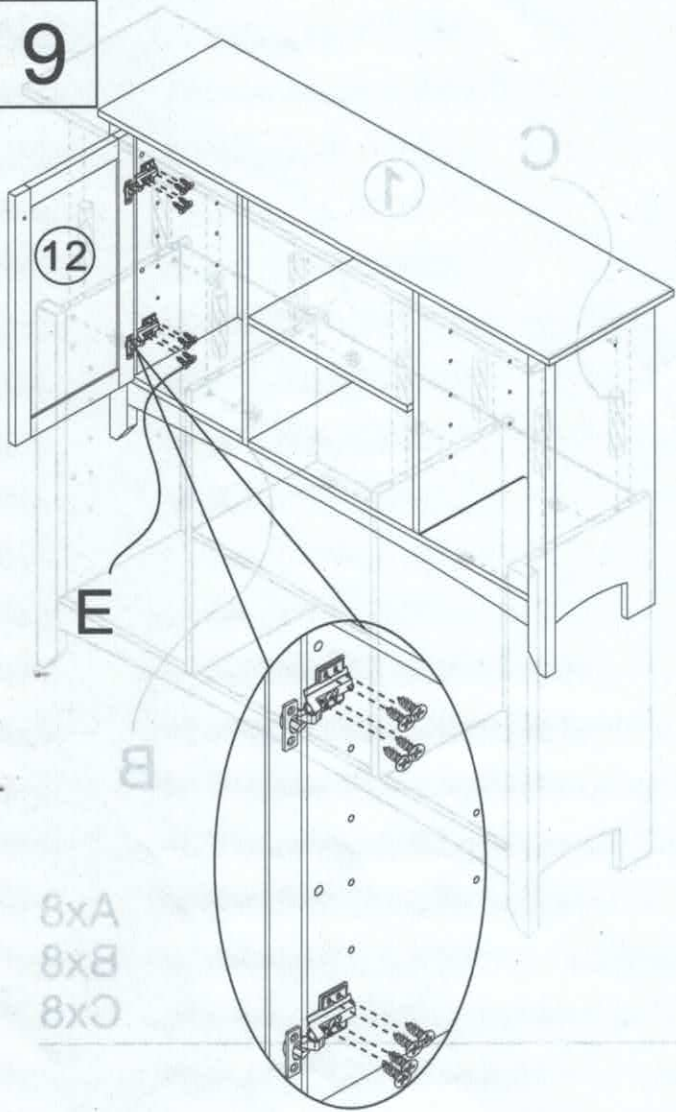
Ex8
Ix4



Ex8
Ix4

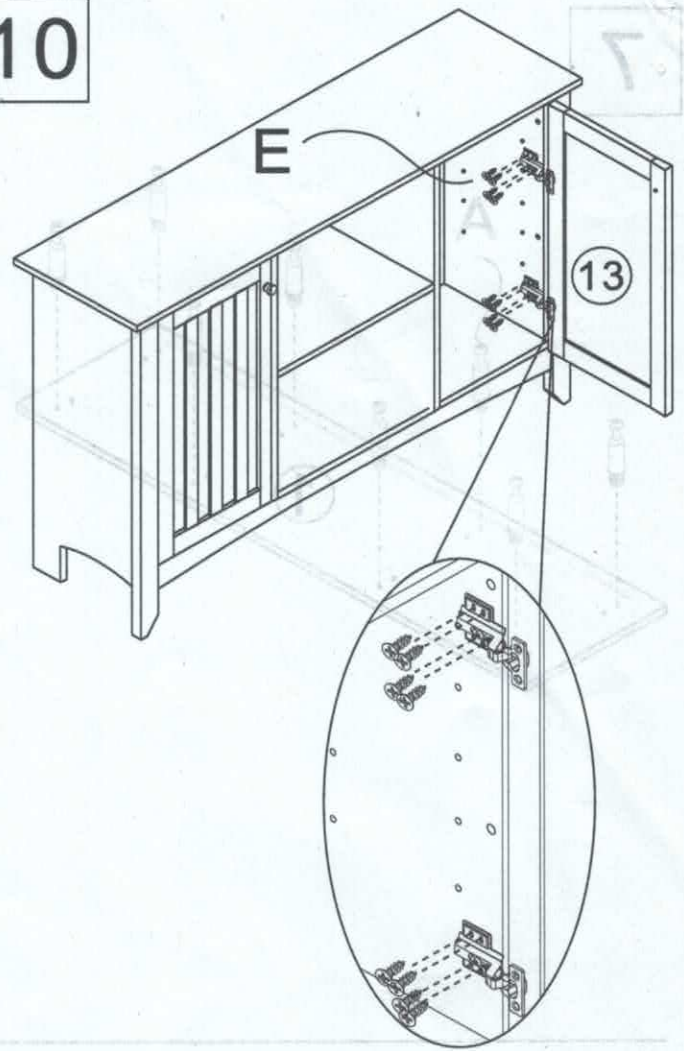
Ex8 Fx2
Hx2 Gx4

9



Ax8
Bx8
Cx8

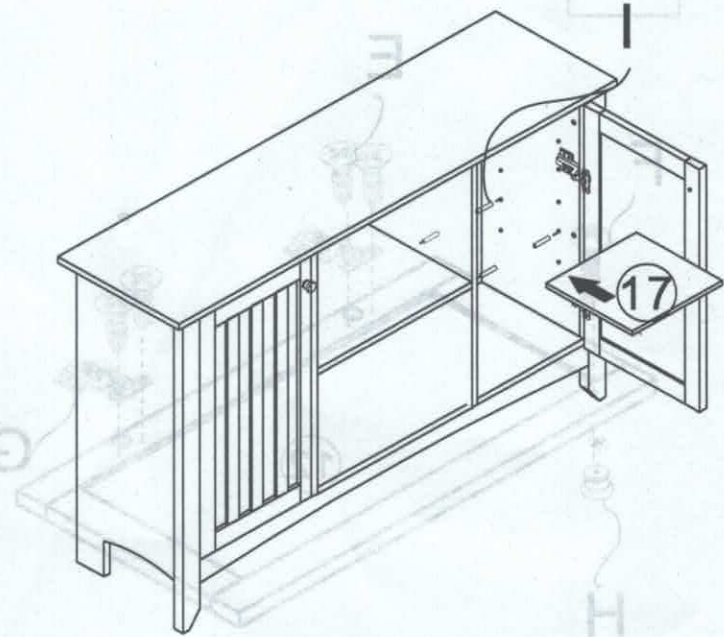
10



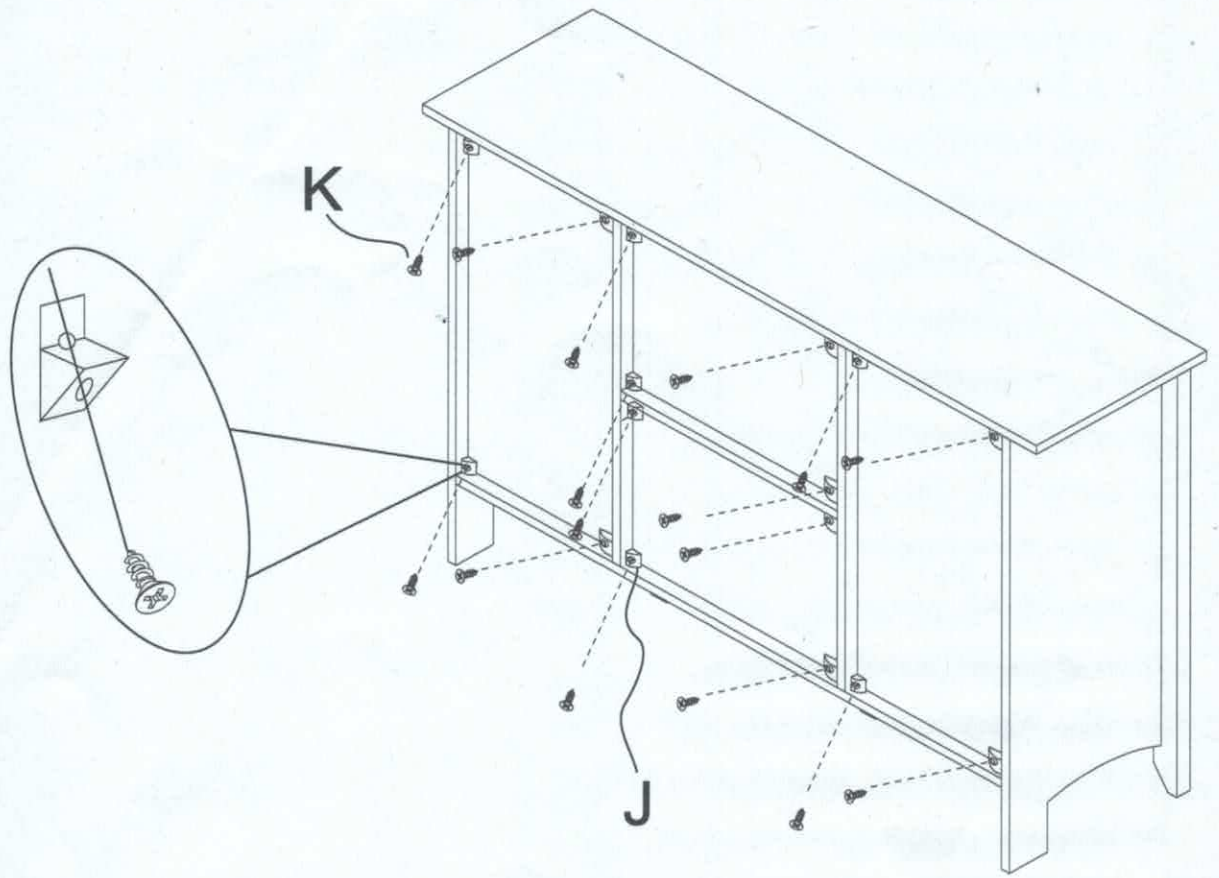
Fx1
Gx4
Hx8
Ix8

Ex8
Ix4

8



Ex8
Ix4



Kx16
Jx16

